



SP Solar Powered PIR Shelter Light

Savepower Pty Ltd



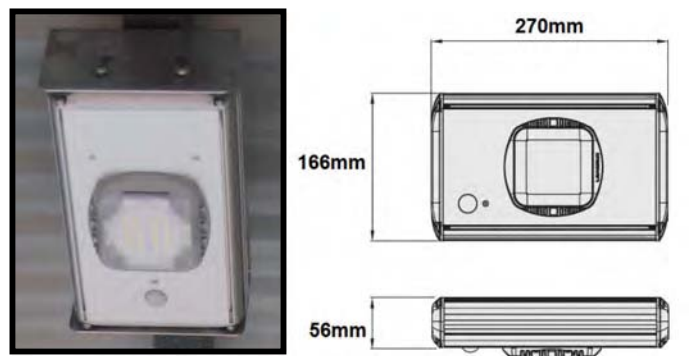
Built tough to withstand some of the harshest weather conditions Australia has to offer.

The SP PIR solar powered LED Shelter light is the perfect solution to light up areas with minimal to no disturbance to existing buildings or structures, with Zero running cost!

Applications:

- Picnic Shelters, Courtyards, Toilet Blocks, BBQ shelters, Smoking shelters, Bus shelters.
- A solar PIR LED lighting solution for off grid area illumination for site locations with No Access to Power.

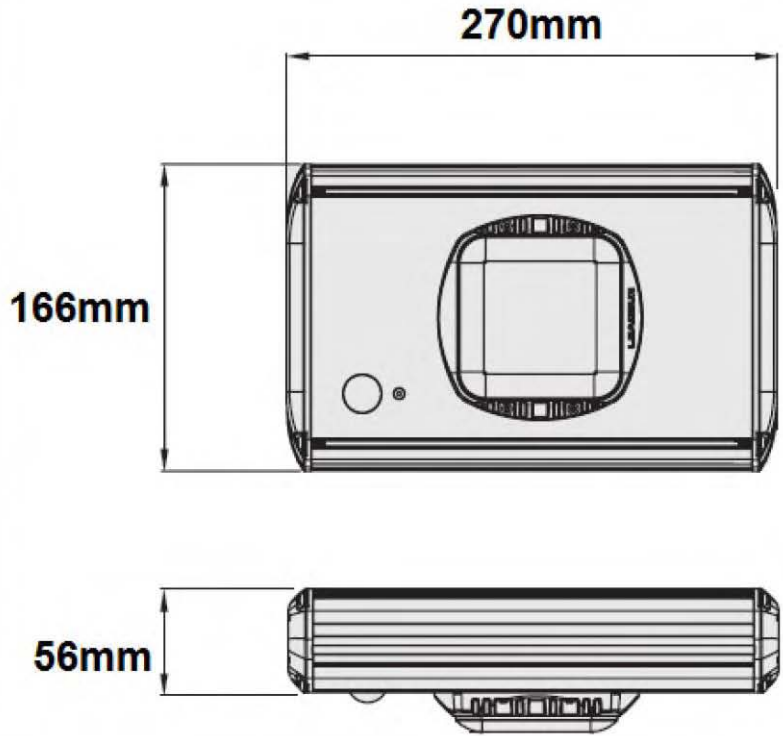
PRODUCT PHILOSOPHY: Savepower manufactures high quality energy efficient mains and solar powered LED lighting systems, all with proven reliability and durability. With a Savepower factory warranty, and back-up support, you and your team will have the peace of mind that our products won't let you down. Our philosophy is that, if you do have a problem with any of our products, we will solve it as soon as humanly possible. This is why we spend so much effort to make our products to the best possible design and quality, so that from day one they work, both reliably and as designed.





SP LED PIR Lighthouse

LED	4W Samsung with Polycarbonate cover.
Sensor	Smart-Eye Panasonic
Operation Mode	30% LED Brightness on standby, 100% when movement detected.
Housing Bracket	Marine Grade Stainless Steel up to 30 degree tilt
Warranty	5 Years





Savepower Pty Ltd

Solar Panel & Battery

Solar Panel	25w Mono Crystalline
Battery	7.5Ah Lithium-ion LifePO4
Operation Mode	Charge during the day, activate lights during the night
Construction	Powder Coat Aluminium
Warranty	3 Years

